

# SAMYANG

## Samyang AF 85mm F1.4 EF

# Instruction Manual

Thank you for purchasing this Samyang Optics product.

The Samyang AF 85mm F1.4 EF lens is a high-performance AF single vision lens optimized and designed for the latest DSLR cameras with Canon EF mount.

### Advantages

- Designed with excellent optical capability for the latest megapixel DSLR cameras.
- Designed to provide excellent image quality for cameras with full-frame (35mm) image sensors.
- Minimizes various aberrations, has effective distortion control, and provides excellent resolution through the use of aspheric lens.
- This product is an inner focus lens, meaning the lens has a consistent length and does not rotate despite changes in focal distance.
- The weather sealing on the mount and the robust structure ensure the lens to be free from dust and moisture and provide excellent durability.
- Two LSM (linear ultrasonic motors) are coupled with a precision optical design that adjusts focus with one lens, ensuring a very fast and quiet AF (autofocus) performance.
- This large lens for portrait photography maintains bright aperture and maximum optical capability while minimizing its size and weight, enhancing stability when shooting and maximizing its flexibility.

### Before using

- Please read this instruction manual and familiarize yourself with the functions of the lens, the operating method, and cautions for handling the product correctly prior to use.  
Also, refer to the instruction manual of the camera you are using with the lens.
- The supported functions of this product may vary according to the camera model.
- For detailed information regarding compatibility, visit the certified service center or refer to our homepage.

### Cautions for using the lens

In order to maintain user safety and prevent damage to the product, fully familiarize yourself with the following items in order to use the product correctly.

- It is dangerous to look at the sun through the lens directly. Doing so may seriously impair your vision.
- Be careful not to apply an impact when attaching the lens. The lens is a precision optical product, so dropping or applying an excessive impact to the lens may cause product failure.
- In order to use the lens safely, attach or detach the lens while the camera is turned off.
- Be careful not to touch or contaminate the contact point on the mount. If an electronic signal is not transmitted between the camera and the lens smoothly, a malfunction may occur.
- Do not wet the lens or touch the lens with a wet hand when using the lens near water. Doing so may result in fire or electric shock.
- It is recommended to use a strong tripod. If a weak tripod is used, the tripod may fall, damaging the camera and the lens.

The following precautions are divided into two types according to the level of danger.

#### WARNING

Not following these instructions may result in death or severe injury to the user.

#### CAUTION

Not following these instructions may result in product damage or injury to the user.

The following pictograms are used in the below precautions:



requires caution. Inside the pictogram it shows contents of precautions. (The left pictogram shows an outbreak of fire in the pictogram.)



shows prohibition. Inside the pictogram it shows contents of prohibition. (The left pictogram shows a prohibition of dismantling.)



shows instruction. Inside the pictogram it shows contents of instructions. (The left pictogram shows an instruction of precaution in the pictogram.)

### ⚠ WARNING

Do not look at the sun through the lens. Doing so may cause blindness.

Keep the lens out of children's reach. It may drop or fall down, causing injury.

### ⚠ CAUTION

Attach the lens to the camera correctly and ensure the lens is held in place properly; otherwise the lens may not be removable, or may become loose unintentionally and cause damage.

Do not apply excessive weight on the lens attached to the camera. Doing so may cause damage to the lens and camera mounts. Be sure to hold the lens when operating or moving.

Ensure that the camera operates properly by checking the lens beforehand or by test shooting for important events such as a wedding ceremony and an overseas trip.

Do not attempt to modify or alter the lens. Doing so may lead to failure of the camera. Modified or altered lenses may not be repaired.

Do not leave the lens in direct sunlight. Doing so may cause a fire, depending on lenses that concentrate light on a close object.

Do not look at the sun directly through a camera with a lens attached. Doing so may cause damage to eyesight.

### Storing the lens

- Do not store the lens without a lens cap in a location with direct sunlight, such as inside a vehicle. Direct sunlight passing through the lens may be concentrated, causing a fire.
- If the lens is placed in a hot location, damage or distortion may occur and problems in the performance may occur.
- Store the lens in a dry and well-ventilated location. Avoid direct sunlight and do not store the lens with naphthalene or moth balls.
- Avoid using the lens in a location with drastic temperature changes. In particular, if you move a lens that has been chilled in a cold location to a warm location, moisture in the air may be concentrated outside or inside the lens, causing a product failure or the production of mold. In such a case, keep the lens in a plastic bag or an exclusive camera bag and take it out when the temperature of the lens becomes similar to the peripheral temperature.
- Keep the lens out of the reach of children. Not doing so may cause an accident or personal injury.

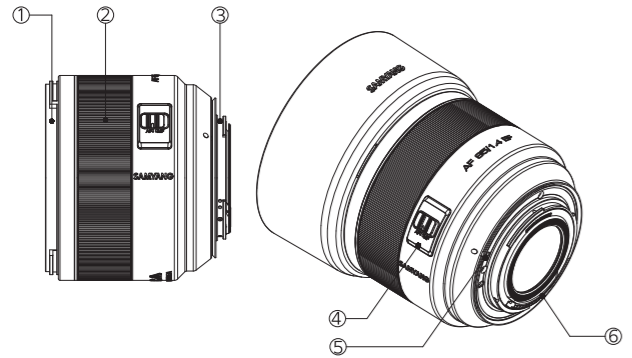
### Cleaning the lens

- If the lens surface gets dirty, dust it off using a lens blower or a brush and wipe it with a soft and clean cloth (cleaning tissue, cotton cloth, etc.).
- When dusting or cleaning the lens, do not use an organic solvent such as thinner, alcohol, or benzene.
- When cleaning the lens, put a small amount of ethanol or lens cleaner on a soft and clean cloth or a cleaning paper and wipe the lens by circling outwards from the center.

### Components

- Lens
- Lens cap (front)
- Lens cap (rear)
- Carrying pouch
- Hood
- Warranty
- User Manual

## Name of each part



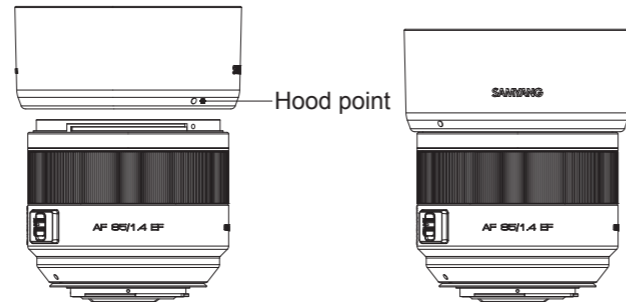
- ① Hood locking tube
- ② Focus ring
- ③ Mount
- ④ AF/MF conversion switch
- ⑤ Lens mount index
- ⑥ Lens signal contact

## Lens Installation and Detachment

- Attaching the lens
  - Remove the front cap and the rear cap of the lens.
  - Align the mount index (red dot) indicated on the lens, to the lens mount index (white dot) indicated on the camera mount, then rotate the lens clockwise until a clicking sound occurs.
- Detaching the lens
  - With the camera lens detaching button pressed, detach the lens by rotating it counterclockwise until the lens stops.

## Mounting the hood

- The hood blocks unnecessary light and protects the front surface of the lens from rain, snow, and dust.
- Align the reference point marked on the hood with the reference point marked on the lens, then turn the hood clockwise until a clicking sound signals that the hood is fixed.



## Focus mode setting



- Set the AF/MF conversion switch to the "AF" mode for autofocus operation.
- If you wish to use manual focus, set the AF/MF conversion switch to "MF", which will allow you to adjust the focus manually using the focus ring.

## Mounting a filter

- A filter can be mounted on the filter mounting screw at the front of the lens.
  - Only one filter should be mounted at one time.
  - If two or more filters are mounted at the same time, vignetting may occur.
  - Check that the filter size is compatible with the lens (refer to "Product specifications") and then mount it at the front of the lens.

## Product Specifications

Model name		AF 85mm F1.4 EF
Aperture range		F1.4 ~ 16
Angle of View	Full Frame	28.4°
	APS-C	19.0°
Optical construction		9 elements in 7 groups (including 1 aspheric lenses)
Minimum focusing distance		0.90m (2.95ft)
Maximum shooting magnification		x 0.11
Filter size		Φ 77.0 mm
Number of aperture blades		9
Maximum diameter X length (excluding hood and cap)		Φ 88.0mm x 72.0mm
Weight		485 g

- The minimum focus is the distance from the image sensor to the object.
- The product specifications and exterior are subject to change without notice.

## EMC Product

Class B equipment: Korean Class B ITE  
 This equipment has been registered with electromagnetic compatibility for household purposes and can be used in residential areas, as well as all other areas.

## MEMO

---



---



---



---



---



---



---



---



---



---



---



---



---



---



---



---



---



---



---



---



---



---

## SAMYANG OPTICS CO., LTD.

- <https://www.samyanglensglobal.com>
- Headquarters and Factory: 123, Jayumyeok 6-gil, Masan Hoewon-gu, Changwon, Gyeongnam, Korea (Bongam-dong)  
 (Masan Free Trade Zone 2 P.O.BOX 340) Postal code: 51343  
 TEL: +82-55-250 - 5600 FAX: +82-55-292 - 3135